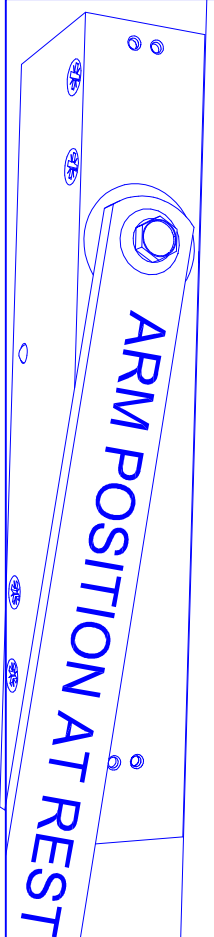
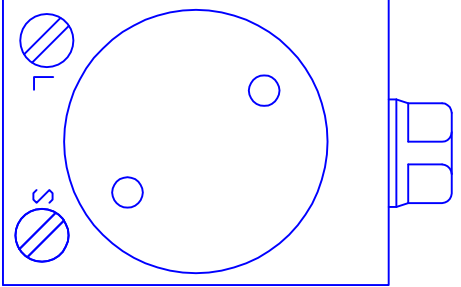
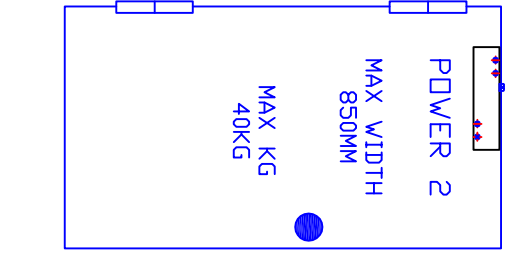
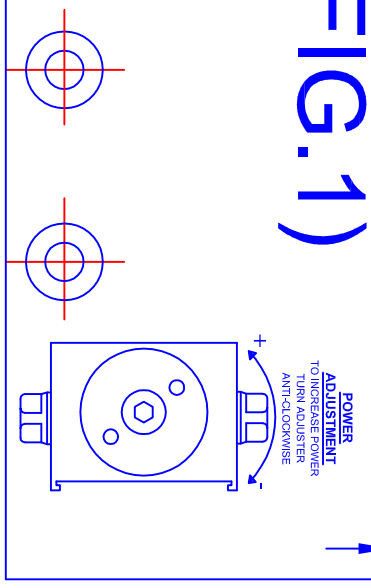


LEFT HAND HINGE

PULL SIDE (FIG.1)



ARM POSITION AT REST



CAUTION:DO NOT UNSCREW ADJUSTERS MORE THAN 3 TURNS FROM FULLY CLOSED POSITION

FITTING TEMPLATE ONLY

FITTING INSTRUCTIONS ON SEPARATE SHEET.

IMPORTANT NOTES

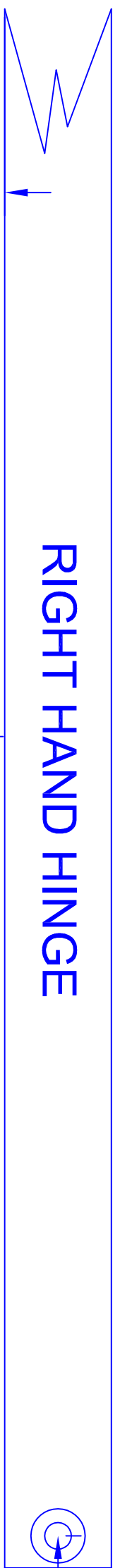
- 1/ THE FACE OF THE DOOR MUST BE FLUSH WITH THE DOOR FRAME.
- 2/ THE SLIDE TRACK MUST BE SECURELY FITTED TO THE DOOR FRAME DO NOT FIT ONTO THE ARCHITRAVE.
- 3/ THE CLOSER AND TRACK MUST BE LEVEL(USE A SPIRIT LEVEL)TO ENSURE THEY RUN PARALLEL.

**CE** ARROW ARCHITECTURAL  
 Tything Road  
 Alcester  
 B496ES 14

1121-CPR-AD0191 EN1154:1996/A1:2002/AC:2006  
 3811113

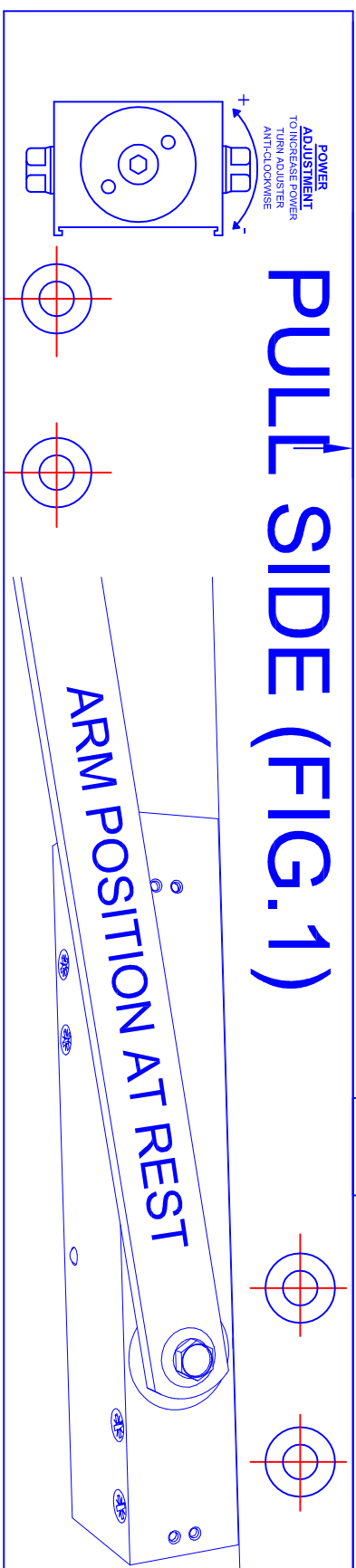
Approved Product  
 CF 5038

Max opening 120°

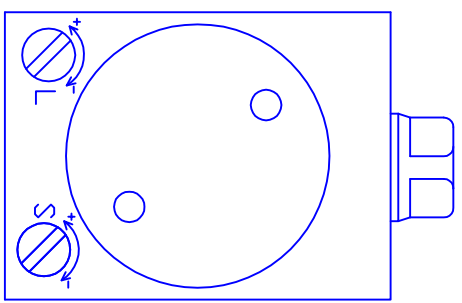


RIGHT HAND HINGE

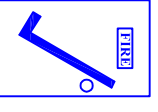
PULL SIDE (FIG.1)



ARM POSITION AT REST



CAUTION:DO NOT UNSCREW ADJUSTERS MORE THAN 3 TURNS FROM FULLY CLOSED POSITION

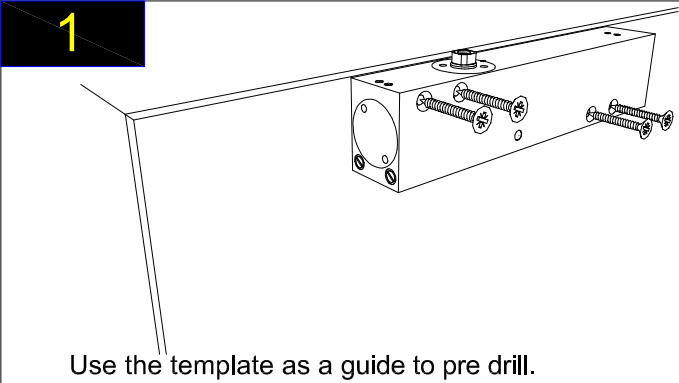


**FITTING INSTRUCTIONS**  
**PLEASE READ CAREFULLY**  
**BEFORE ASSEMBLY AND FIXING**  
**PULL SIDE(FIG.1)**

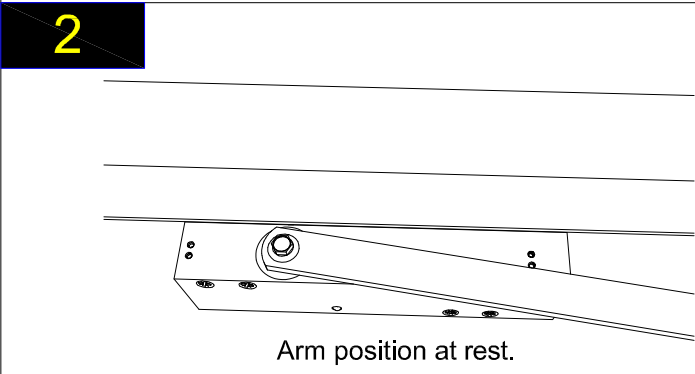
<b>CE</b>	<b>ARROW ARCHITECTURAL</b>	<b>14</b>
	Tything Road Alcester B496ES	
1121-CPR-AD0191	EN1154:1996/A1:2002/AC:2006	
3 8 4 1 1 3		



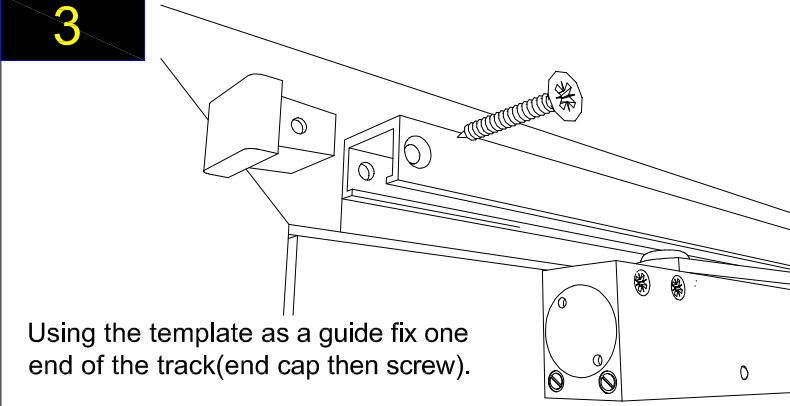
**APPROVED PRODUCT**  
**CF 5038**



Use the template as a guide to pre drill.

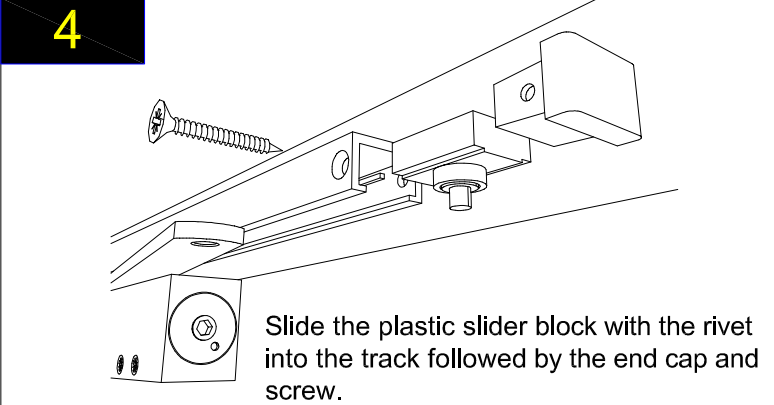


Arm position at rest.

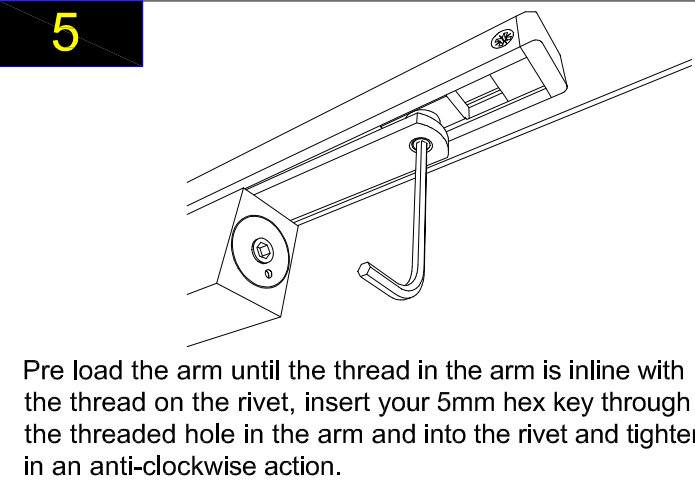


Using the template as a guide fix one end of the track(end cap then screw).

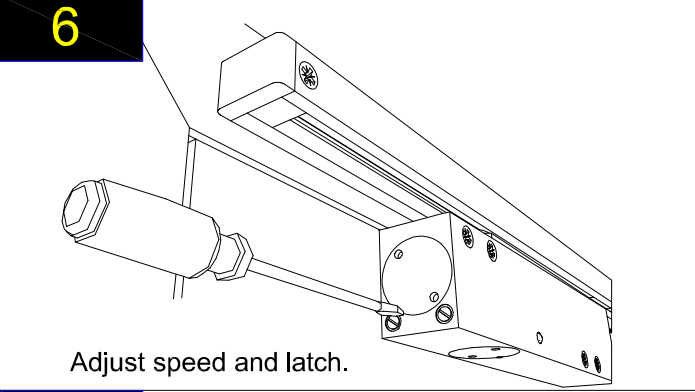
**THE TRACK MUST BE FITTED TO THE DOOR FRAME, NOT ON THE ARCHITRAVE. DOOR AND FRAME MUST BE FLUSH.**



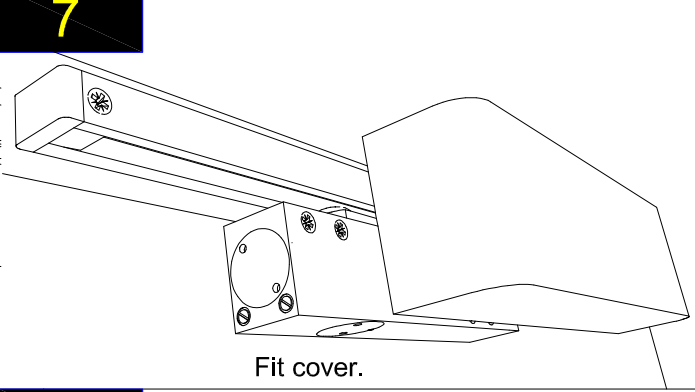
Slide the plastic slider block with the rivet into the track followed by the end cap and screw.



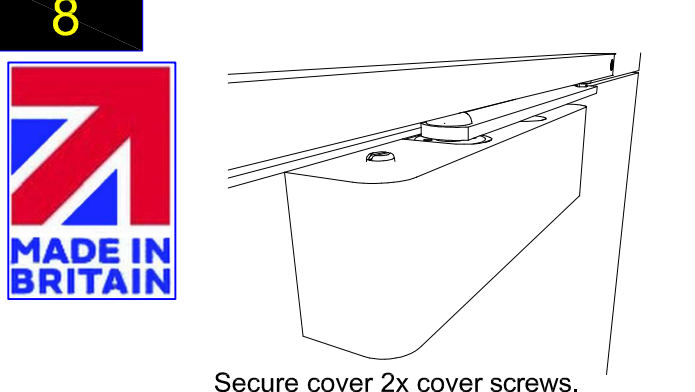
Pre load the arm until the thread in the arm is inline with the thread on the rivet, insert your 5mm hex key through the threaded hole in the arm and into the rivet and tighten in an anti-clockwise action.



Adjust speed and latch.



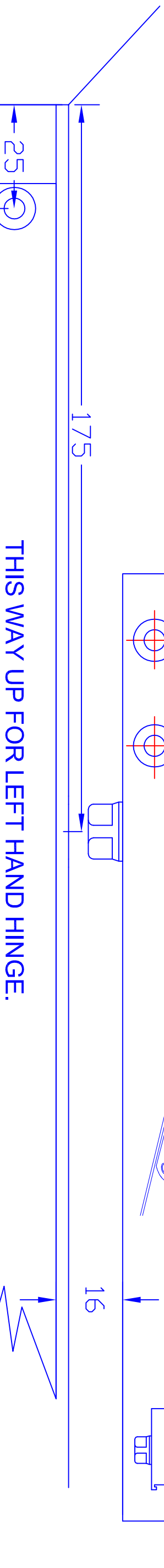
Fit cover.



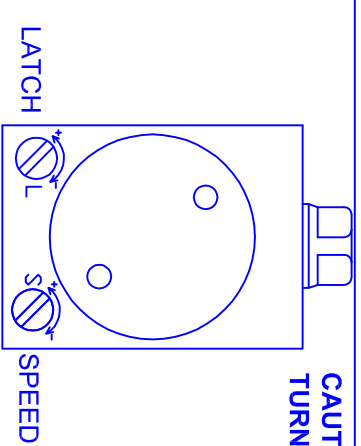
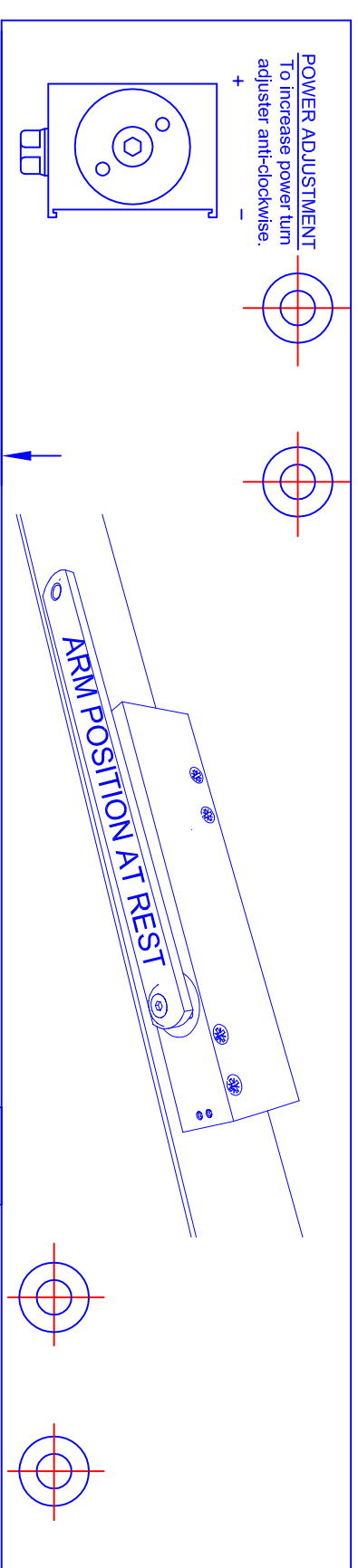
Secure cover 2x cover screws.

**ENSURE THAT BOTH THE BODY AND TRACK ARE LEVEL (USE A SPIRIT LEVEL) ENSURE THAT THEY ARE PARALLEL.**

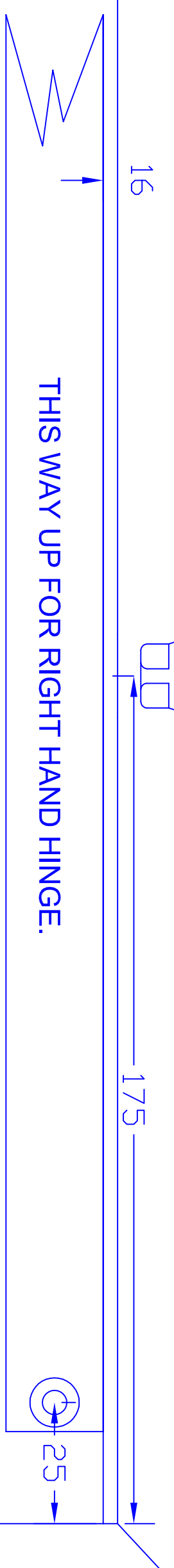
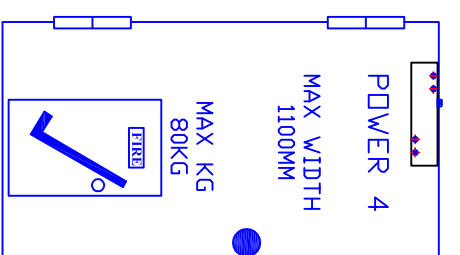
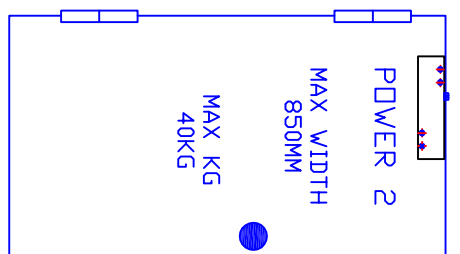
# TRANSOM(PULL SIDE)



## FITTING TEMPLATE ONLY FITTING INSTRUCTIONS ON SEPARATE SHEET.





CAUTION:DO NOT UNSCREW ADJUSTERS MORE THAN 3 TURNS FROM FULLY CLOSED POSITION




### IMPORTANT NOTES

- 1/ THE FACE OF THE DOOR MUST BE FLUSH WITH THE DOOR FRAME.
- 2/ THE CLOSER MUST BE SECURELY FITTED TO THE DOOR FRAME DO NOT FIT ONTO THE ARCHITRAVE.
- 3/ THE CLOSER AND TRACK MUST BE LEVEL(USE A SPIRIT LEVEL) TO ENSURE THEY RUN PARALLEL.

D.O.P download available at [www.arrow-architectural.com](http://www.arrow-architectural.com)



**ARROW ARCHITECTURAL**  
 Tything Road  
 Alcester  
 B496ES  
 14  
 1121-CPR-AD0191 EN154:1996/A1:2002/AC:2006  
 3 8 3 1 1 1 3

  
**APPROVED PRODUCT**  
 CF 5038

Max opening 120°

**FITTING INSTRUCTIONS**  
**PLEASE READ CAREFULLY**  
**BEFORE ASSEMBLY AND FIXING**  
**TRANSOM MOUNT PULL SIDE**



**ARROW ARCHITECTURAL**  
 Tything Road  
 Alcester  
 B496ES

14

1121-CPR-AD0191

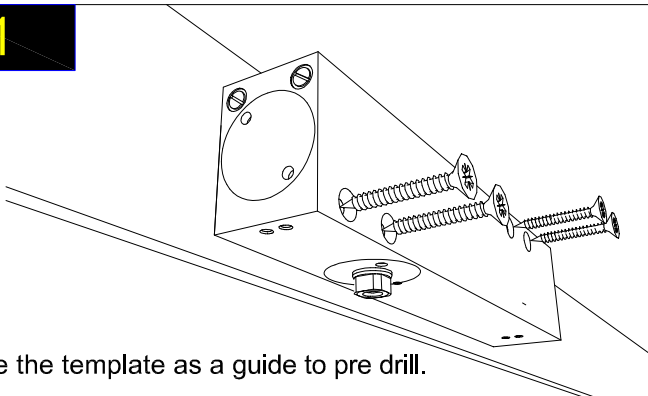
EN1154:1996/A1:2002/AC:2006

3 8 1 1 1 3



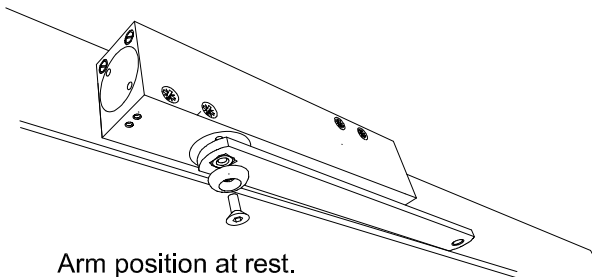
**APPROVED PRODUCT**  
 CF 5038

**1**



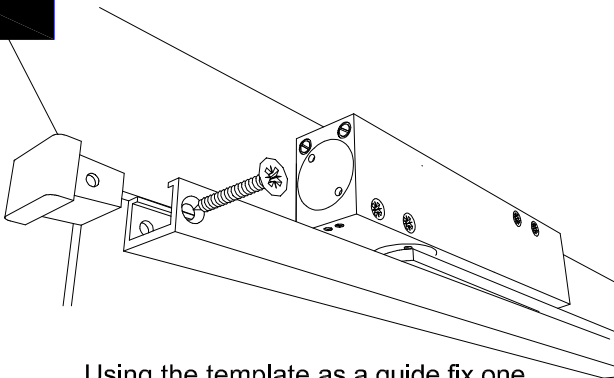
Use the template as a guide to pre drill.

**2**



Arm position at rest.

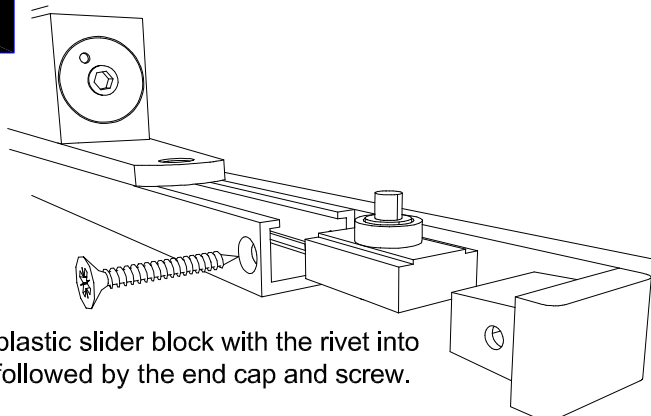
**3**



Using the template as a guide fix one end of the track(end cap then screw).

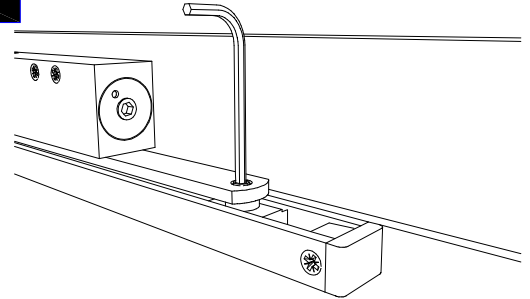
**THE TRACK MUST BE FITTED TO THE DOOR FRAME, NOT ON THE ARCHITRAVE. DOOR AND FRAME MUST BE FLUSH.**

**4**



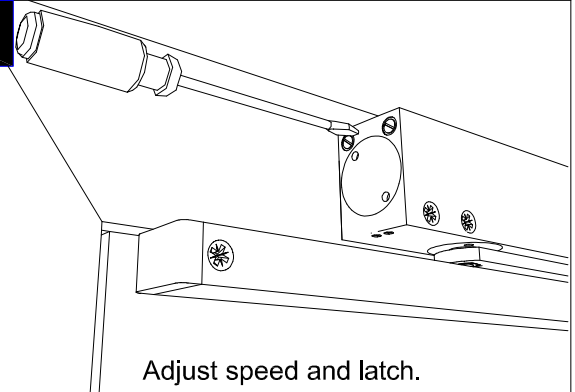
Slide the plastic slider block with the rivet into the track followed by the end cap and screw.

**5**



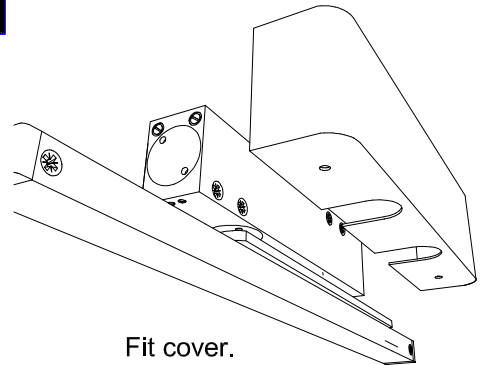
Pre load the arm until the thread in the arm is inline with the thread on the rivet, insert your 5mm hex key through the threaded hole in the arm and into the rivet and tighten in an anti-clockwise action.

**6**



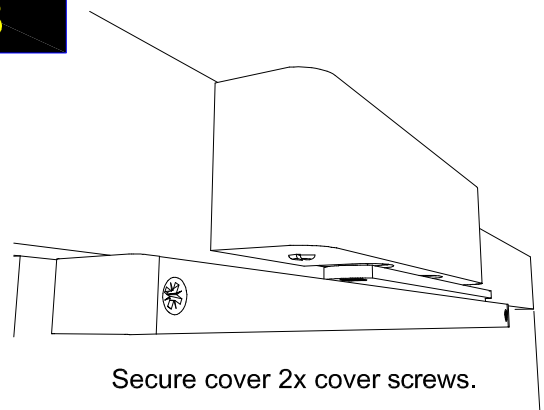
Adjust speed and latch.

**7**



Fit cover.

**8**



Secure cover 2x cover screws.

**ENSURE THAT BOTH THE BODY AND TRACK ARE LEVEL  
 (USE A SPIRIT LEVEL) ENSURE THAT THEY ARE PARALLEL.**