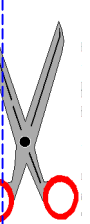
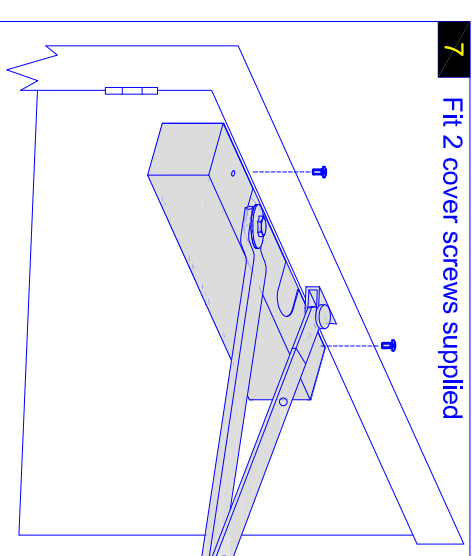
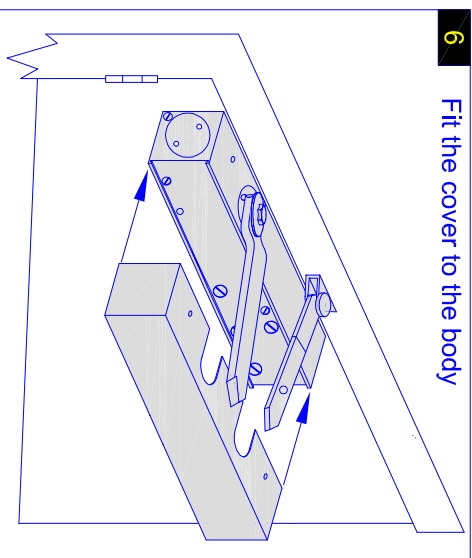
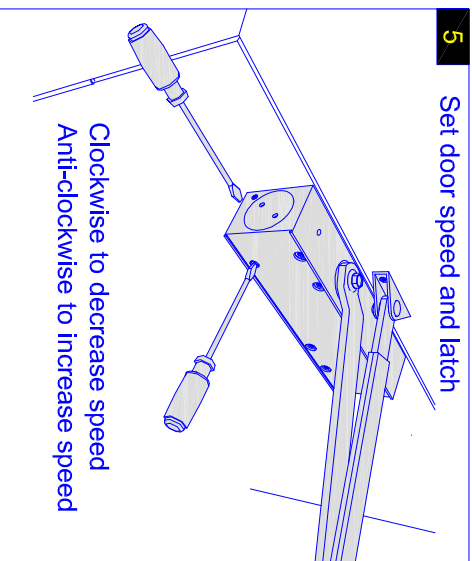
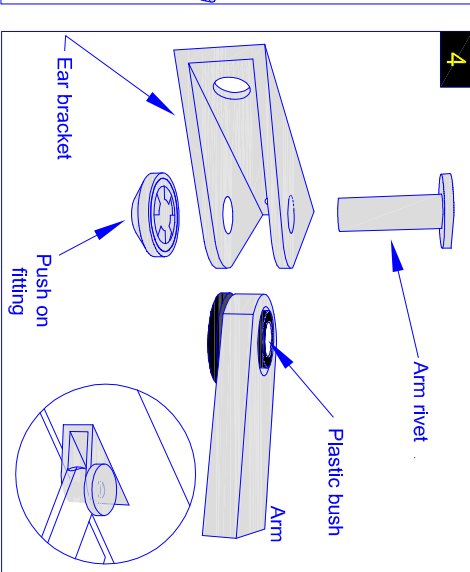
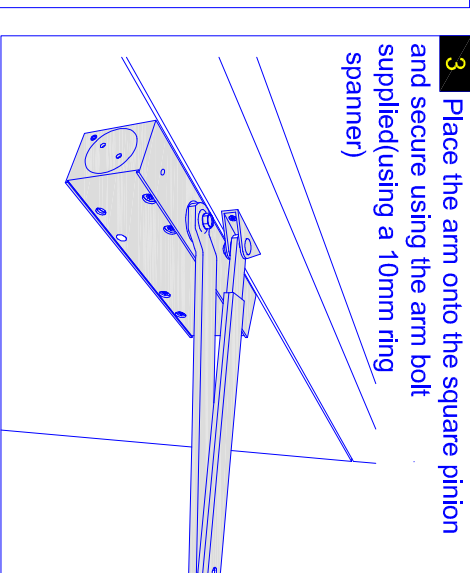
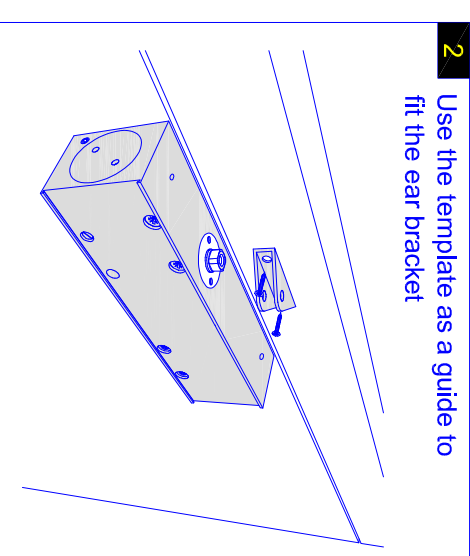
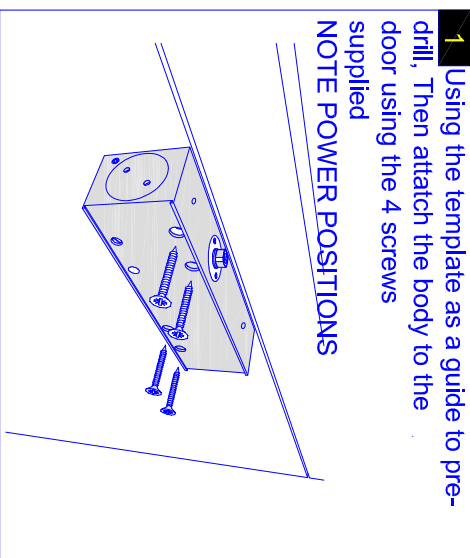
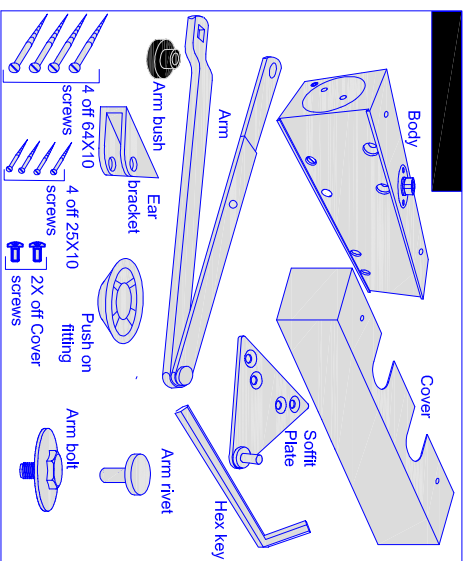


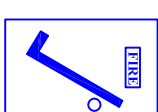
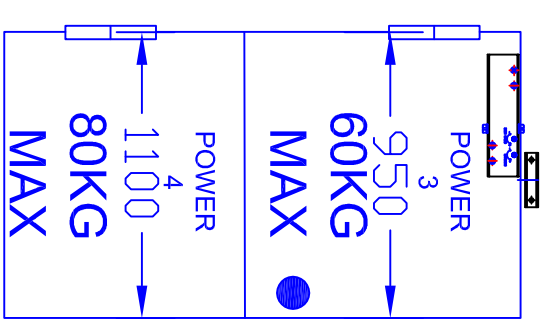
400 FIG.1

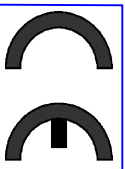


Max opening 110°

MAINTENANCE

Periodically apply light oil to the arm knuckle joint and check all screws and the pinion bolt are tight
D.O.P down load available at www.arrow-architectural.com



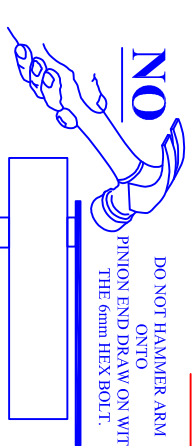


ARROW ARCHITECTURAL
Tything Road
Alcester
B496ES 15

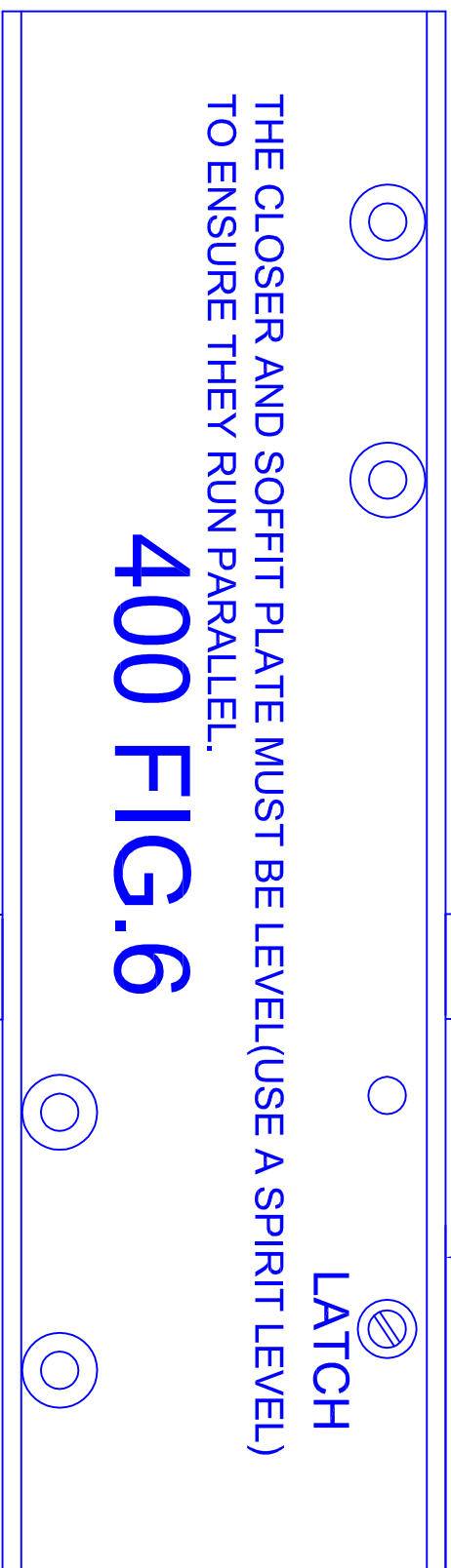
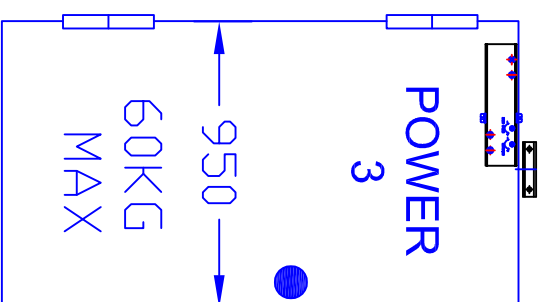


APPROVED PRODUCT
CF 496

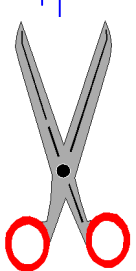
Max opening 110°



LEFT HAND HINGE

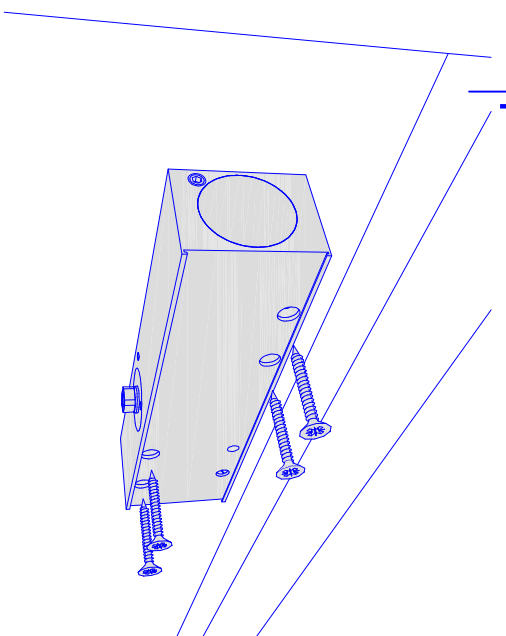


400 FIG.6



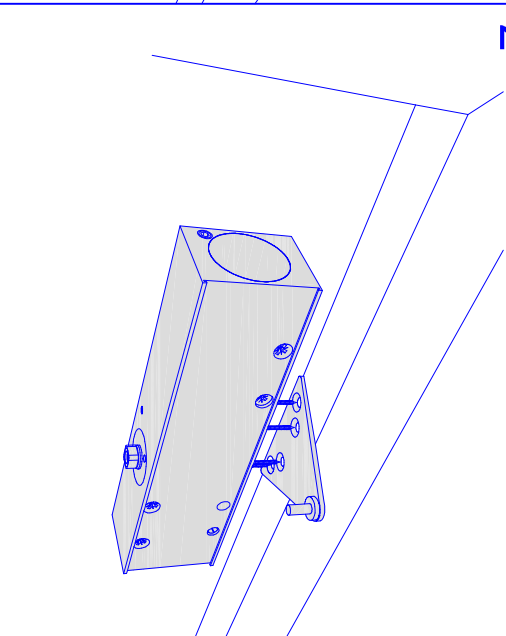
ENGINE DRAWN LIGHT

1



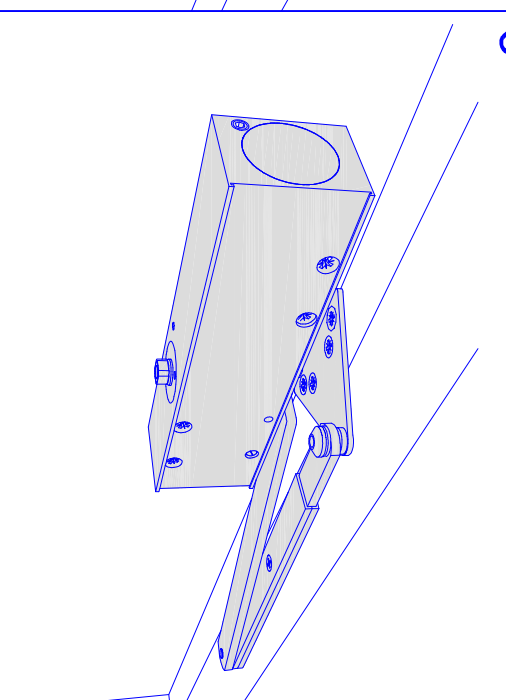
1. Use the template as a guide, drill pilot holes and screw the body to the door with the 2 1/2" wood screws supplied.

2



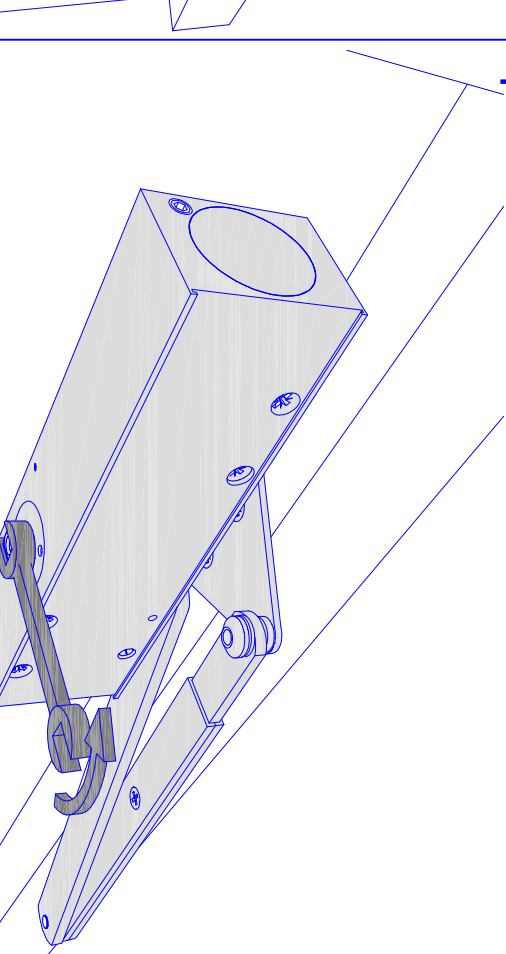
2. Use the template as a guide, drill 4 pilot holes and screw the soffit plate to the under side of the door frame (as shown in the diagram) with the 1" wood screws supplied. The soffit plate must be against the door face.

3



3. Secure the closer arm to the closer body using the arm bolt(rotate the pinion using a 12mm spanner as shown in drawing 4) (use a 10mm ring spanner to ensure this is tight). Then connect the arm to the soffit plate. Insert the plastic bush into the arm, place the arm onto the soffit plate then press the push on fitting firmly onto the soffit plate rivet.

4



5. For all other instructions follow 5/6 and 7 over leaf.

