

FS14V FLOOR SPRING

The Freeman and Pardoe FS14V Floor Spring is a versatile single or double action floor spring suitable for doors of all types with widths up to 1100mm.

SPECIFICATION:

- > Single or Double Action Floor Spring
- > Adjustable Power CE Sizes 1-4
- > Suitable for Door Weights up to 150kg
- > Maximum Door Width 1100mm
- > Non-Handed Body
- > Interchangeable spindle tips with extension of up to 50cm
- > Swing speed from 180° to 15°
- > Latch Speed from 15° to 0°
- > Pressure Release Valve – Prevents damage to floor spring from the door slamming uncontrollably

TECHNICAL DATA:

Power Size	EN1	EN2	EN3	EN4
Door width	800	900	1000	1100
Door Application:				
Left Hand	•	•	•	•
Right Hand	•	•	•	•
Hold Open Option:				
No Hold Open	•	•	•	•
Hold Open Option:				
Hold Open 90°	•	•	•	•
Hold Open	•	•	•	•
Fire Tested	60 Minutes			
Standards	BS EN 1154 (Mechanical), BS EN 1634 (Fire Test), BS EN 8300 (Ease of Access)			



MODEL OPTIONS:

- > Single Action or Double Action
- > No Hold Open or Hold Open 90° available in all power sizes as listed above



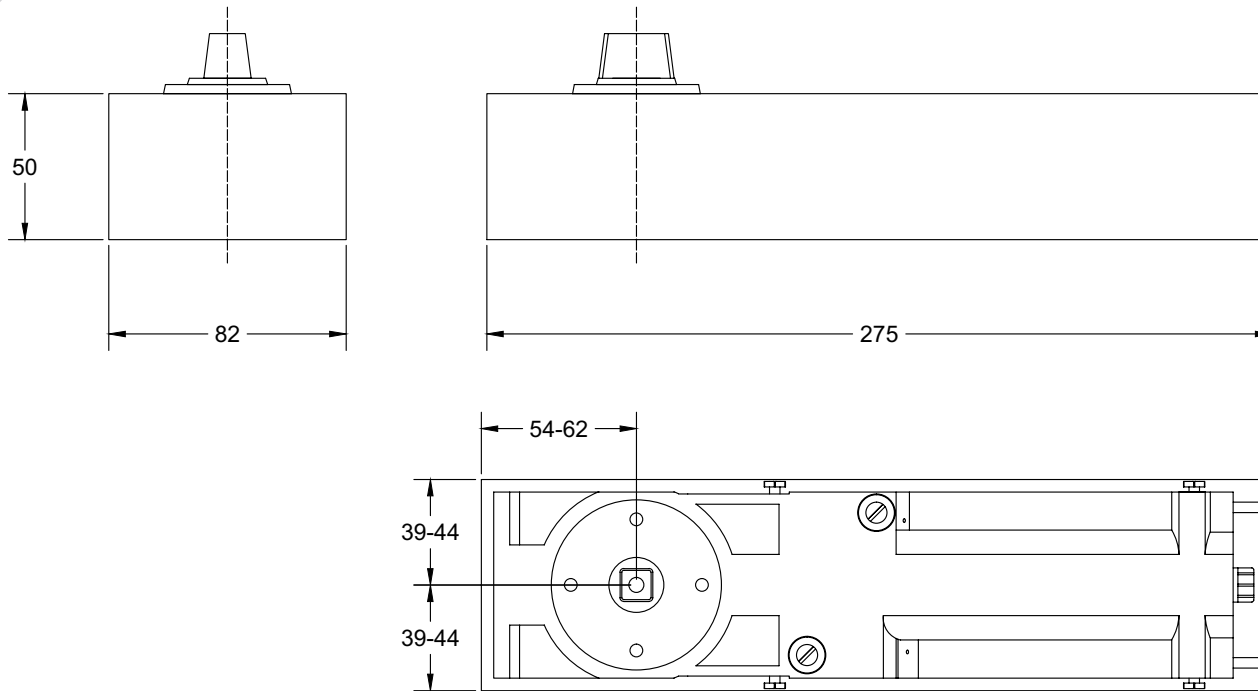
- Tel: +44 (0) 1789 762575
- Fax: +44 (0) 1789 762673

- Email: info@freemanandpardoe.com
- Web: freemanandpardoe.com

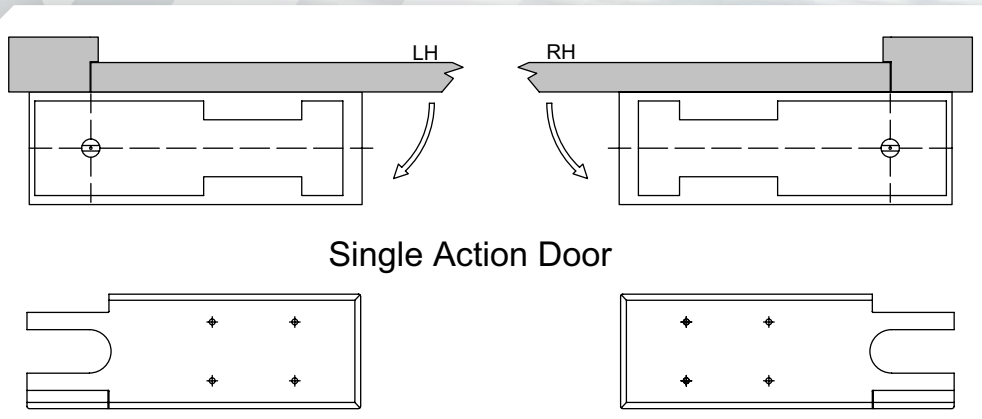


FS14V FLOOR SPRING

FLOOR SPRING BODY AND CASE

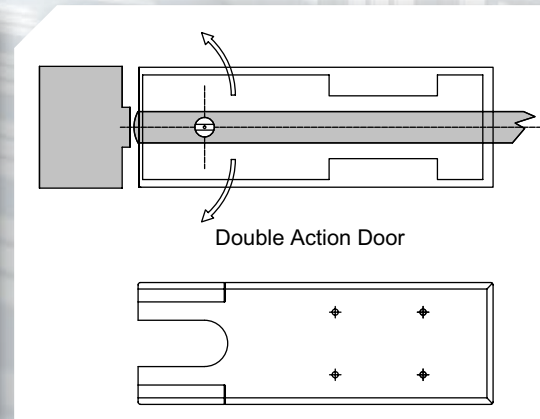


Single Action



Single Action Door

Double Action



Double Action Door

FINISHING TOUCHES

The FS14V is available in Satin Stainless Steel as standard or can be finished in a selection of Metallic Finishes upon request.



Satin Stainless Steel

DIMENSIONS AND FITTING

FS14V Cement Case Dimensions (mm)

Length	Width	Height
275	82	50

FS14V Adjustment in Cement Case (mm)

Length	Width
8	4

FS14V Cover Plate Dimensions (mm)

Length	Width	Height
275	82	50

> **Body Weight:** 4.45kg

> **Box Weight:** 5kg